



LIPPERT
COMPONENTS®



by  Lippert Components®



Solera® Slider

Installation and Owner's Manual

(For Aftermarket Applications)

NOTE: The number of variances for the Solera Slider is too extensive to list herein and beyond the scope of this document. Contact LCI Customer Service at (574) 537-8900 or email: customerservice@lci1.com to request the appropriate variance applicable to a specific requirement.

NOTE: If the optional Solera Slider Access Kit was purchased keep these instructions to reference the parts list but use the installation instructions that were included in the Solera Slider Access Kit.

Table of Contents

Introduction	2
Safety Information	2
Resources Required	2
Parts List	3
Installation	4
Installing the Awning Rail	4
Assemble the Extension Rod and Cap	4
Installing the Solera Slide Topper Assembly	5
Securing the Fabric	6
Maintenance	6
Fabric Care	6
Troubleshooting	7
Notes	8



LIPPERT
COMPONENTS®

Solera® Slider

Installation and Owner's Manual

(For Aftermarket Applications)

Introduction

Solera® Sliders are a high-quality, cost-effective way to help keep slide-outs free of dirt, leaves and debris. Solera Sliders are permanently attached to the slide-out and retract/extend with the room. The easy-to-install kits are designed to fit rooms from 66" to 192" in length. All Solera Slider fabric produced before August 2014 allows for a 58" projection and all fabric produced after that date allows for a 48" projection. The hardware hole pattern is universal and will match most competitive brands, which alleviates the need to patch holes.

- The Solera Slider kit comes complete with mounting hardware.
- Awning rail included.
- All fabric is 6" shorter than slide topper length, which is measured from centerline of torsion arm to centerline of torsion arm.
- Box width is measured on the outside front of the box. Include the T-molding for a proper fit.

Additional information about this product can be obtained from lci1.com/support or by using the myLCI app. Replacement kits can be ordered from <https://store.lci1.com/> or by using the myLCI app.

The myLCI app is available for free on iTunes® for iPhone® and iPad® and also on Google Play™ for Android™ users.

iTunes®, iPhone®, and iPad® are registered trademarks of Apple Inc.

Google Play™ and Android™ are trademarks of Google Inc.

Safety Information

Read and fully understand all instructions before installing or operating this product.

Adhere to all safety labels.

This manual provides general installation procedures. Many variables can change the circumstances of the procedure, i.e., the degree of difficulty involved in the service operation and the ability level of the individual performing the operation.

This manual cannot begin to plot out procedures for every possibility, but will provide the general instructions for effectively installing the system. In the event the skill level required is too advanced or the procedure too difficult, a certified technician should be consulted before performing the necessary installation. Failure to correctly install the system may result in voiding the warranty, inflicting injury or even death.

⚠ WARNING

FAILURE TO FOLLOW THE INSTRUCTIONS PROVIDED IN THIS MANUAL MAY RESULT IN DEATH, SERIOUS INJURY, UNIT DAMAGE OR VOIDING OF THE COMPONENT WARRANTY.

⚠ CAUTION

ALWAYS WEAR EYE PROTECTION WHEN PERFORMING SERVICE OR MAINTENANCE TO THE UNIT. OTHER SAFETY EQUIPMENT TO CONSIDER WOULD BE HEARING PROTECTION, GLOVES AND POSSIBLY A FULL FACE SHIELD, DEPENDING ON THE NATURE OF THE SERVICE.

⚠ CAUTION

MOVING PARTS CAN PINCH, CRUSH OR CUT. KEEP CLEAR AND USE CAUTION.

Resources Required

- 1-2 people, depending on task
- Cordless or electric drill or screw gun
- Appropriate drive bits
- Screwdriver
- Tape measure
- Silicone sealant or butyl tape
- Silicone lubricant



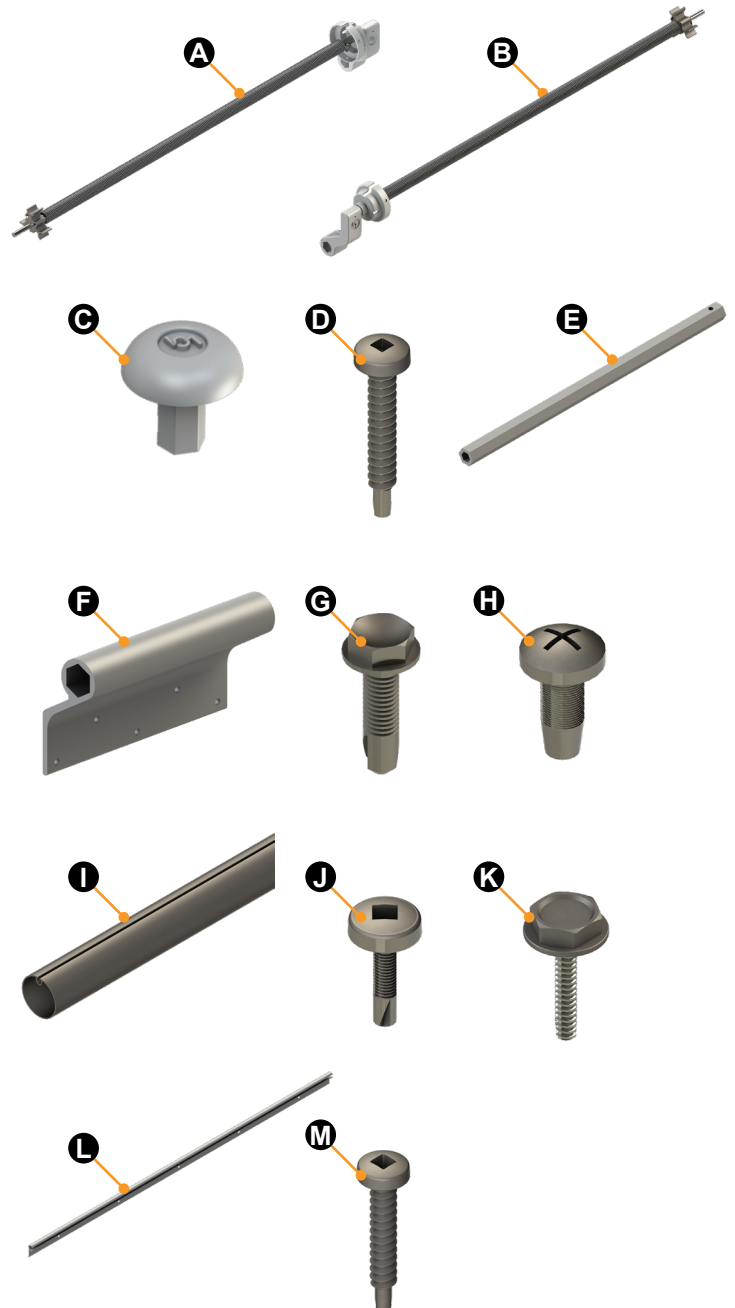
Solera® Slider
Installation and Owner's Manual
(For Aftermarket Applications)

Parts List

Solera Slide Topper - White			
Letter	PN	Description	Qty
A	272455	Drive Head (incl w/ roll tube)	1
B	272454	Idler Head (incl w/ roll tube)	1
C	2724561	Torsion Arm Cap	2
D	362117	Screw, #10 - 16 x 1 1/4" Pan Head, Self Drilling	10
E	3452071	Extension Rod	2
F	2724411	Extension Rod Bracket	2
G	300247	Screw, #10 - 16 x 3/4", Hex Washer Head, Self Drilling	4
H	280648	Screw, 1/4" - 20 x 5/8" Slotted Pan Head, Self Tapping	2
I	382228	Roll Tube	1
J	675906	Screw, #8 - 18 x 1/2" Pan Head, Self Drilling (incl w/ roll tube)	8
K	281079	Screw, #6 - 20 x 1/2" Hex Washer, Self Drilling	2
L	281928	Awning Rail	1
M	252593	Screw, #8 - 18 x 1" Square Pan Head, Self Drilling	26

Solera Slide Topper - Black			
Letter	PN	Description	Qty
A	285149	Drive Head (incl w/ roll tube)	1
B	285148	Idler Head (incl w/ roll tube)	1
C	2724562	Torsion Arm Cap	2
D	362118	Screw, #10 - 16 x 1 1/4" Pan Head, Self Drilling	10
E	3452072	Extension Rod	2
F	2724412	Extension Rod Bracket	2
G	300247	Screw, #10 - 16 x 3/4", Hex Washer Head, Self Drilling	4
H	280648	Screw, 1/4" - 20 x 5/8" Slotted Pan Head, Self Tapping	2
I	676498	Roll Tube	1
J	276611	Screw, #8 - 18 x 1/2" Pan Head, Self Drilling (incl w/ roll tube)	8
K	281079	Screw, #6 - 20 x 1/2" Hex Washer, Self Drilling	2
L	281929	Awning Rail	1
M	364290	Screw, #8 - 18 x 1" Square Pan Head, Self Drilling	26

NOTE: Part numbers are shown for identification purposes only. Not all parts are available for individual sale. All parts with a link to the Lippert Store can be purchased.





Installation

All screws supporting the awning assembly **MUST** have a backer within the structure of the wall of the unit. Refer to unit manufacturer for proper location.

Installing the Awning Rail

Awning rail included.

1. Position the awning rail along the line where the roof and wall meet or a minimum of 3" above the upper edge of the slide room the Solera Slider will cover. The awning rail must be level and parallel with the top of slide room box of the unit.
2. After determining the awning rail's proper location, mark its position with a non-permanent method of marking.
3. Apply sealant to the back of the awning rail (Fig.1A).
4. Align the awning rail on the wall and secure with #8 - 18 X 1" screws, using all fastener holes.

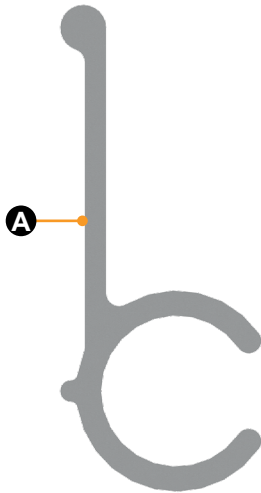


Fig.1

Assemble the Extension Rod and Cap

1. Slide the extension rod (Fig.2A) into the spring head assembly torsion arm (Fig.2B), aligning the fastener locations (Fig.2).
2. Slide the spring head assembly torsion arm end cap (Fig.2C) into the extension rod (Fig.2A), aligning all three fastener locations (Fig.2). Fasten using the provided 1/4" - 20 x 5/8" slotted pan head, self-tapping screw (Fig.3).

NOTE: Do not secure the second extension rod to the spring head assembly torsion arm until the Solera Slider is ready for installation on the unit.

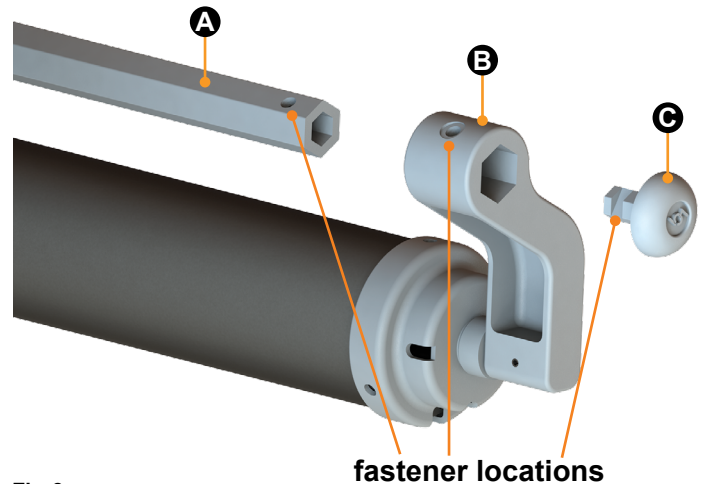


Fig.2

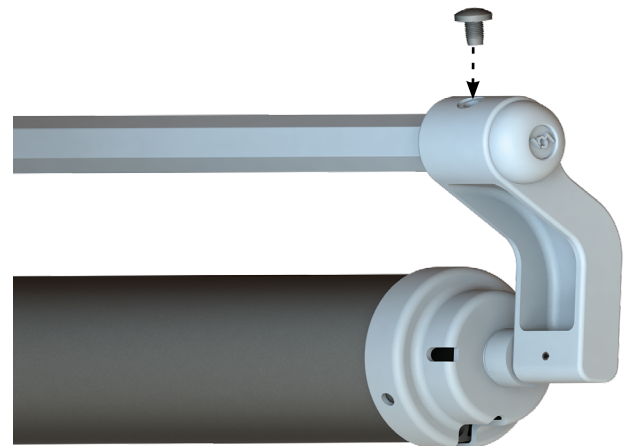


Fig.3



Solera® Slider
Installation and Owner's Manual
(For Aftermarket Applications)

3. Seal the back side of the extension rod bracket screw holes with sealant so that the sealant is against the unit when mounting the extension rod bracket.

4. Place the support arm bracket against the bottom of the T-molding at the top corner of the slide-out. Make sure to keep the support arm bracket parallel with the T-molding. Fasten using the provided #10 - 16 x 1 1/4" self-tapping screws (Fig.4).



Fig.4

5. Repeat Steps 1-4 for the other end, but do not secure the second hex extension rod to the spring head assembly torsion arm until the Solera Slider is ready for installation on the unit.

Installing the Solera Slider Assembly

1. To prepare for fabric installation, use a screwdriver to spread open either end of the awning rail on the installation end (Fig.5A).

2. To protect the fabric from damage during installation, file any sharp edges or burrs from the awning rail.

3. Spray the inside of the awning rail channel with silicone lubricant (Fig.5B).

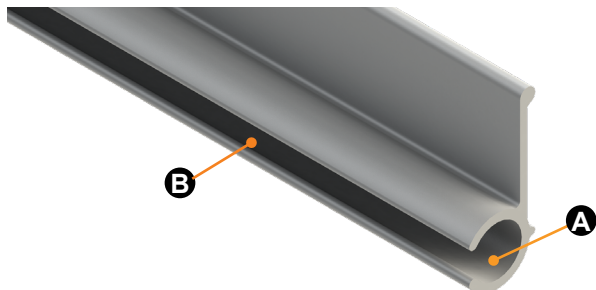


Fig.5

4. Remove packaging from the roll tube and unroll a small portion of fabric, no more than one turn.

CAUTION

UNROLLING THE FABRIC MORE THAN ONE TURN WILL CAUSE THE SLIDE TOPPER TO LOSE TENSION AND CREATE SLACK WHEN CLOSING THE SLIDE ROOM. MAKE SURE TO LEAVE THE SLIDE ROOM CLOSED OR NOT TO EXTEND MORE THAN 6".

5. Using at least two people, feed the polycord through the awning rail channel (Fig.6A).



Fig.6

6. Feed one of the extension rods into the extension rod bracket. By pulling the extension rod all the way into the extension rod bracket, the opposite end extension rod can now slide into the extension bracket or optional access bracket at the opposite end.

7. Angle the extension rod so that the roll tube will not be touching the slide room.

8. Secure the second extension rod to the spring head assembly torsion arm using the provided 1/4" - 20 x 5/8" slotted pan head, self-tapping screw (Fig.3).

9. Center the Solera Slider over the slide room using a tape measure.



10. Fasten the extension rods to the extension rod brackets by installing two of the provided #10 - 16 x 3/4" self drilling hex washer head screws in each extension rod bracket (Fig.7A).

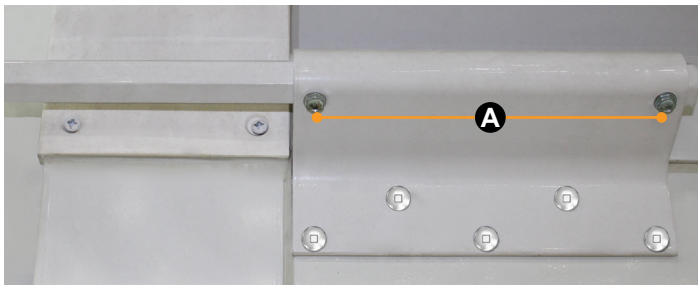


Fig.7

⚠ WARNING

ROLL TUBE SPRINGS ARE UNDER TENSION. IMPROPERLY SECURED ROLL TUBE SPRINGS CAN CAUSE PERSONAL INJURY AND/OR PRODUCT DAMAGE. SLOWLY RELEASE SPRING TENSION TO AVOID PERSONAL INJURY AND/OR PRODUCT DAMAGE.

11. Firmly hold the roll tube when removing the spring clip to relieve spring tension.

Securing the Fabric

1. Extend and retract the room several times to ensure that the fabric is square on the roll tube.
2. Secure the fabric in the awning rail no more than 1" inside the edge of the fabric on both ends using a #6 x 1/2" hex head screw. Install the screw down through the awning rail into the fabric and the polycord (Fig.8).

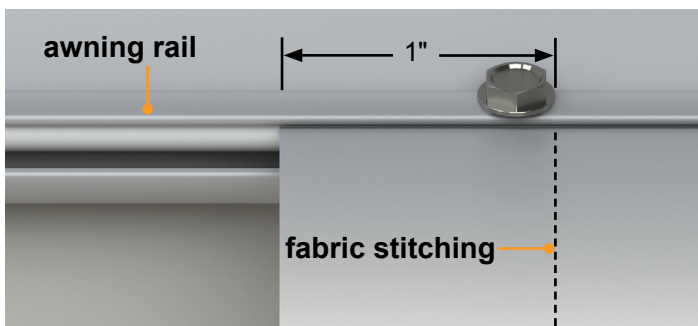


Fig.8

Maintenance

Fabric Care

If the awning is retracted while wet, extend the awning and let it dry as soon as conditions allow before retracting. This will help prevent the formation of mildew and add greatly to the life of the awning. Mildew does not form on the fabric itself, but on the accumulated dust, dirt and grime.

Periodically clean vinyl or woven acrylic fabric using a mixture of 1/4 cup of dish soap and 5 gallons of warm water. Liberally apply the mixture on the top of the fabric and retract the awning for five minutes. This will apply the mixture to the bottom of the fabric as well. Extend the awning and hose off with fresh water. Repeat if necessary. Allow fabric to dry before retracting.



LIPPERT
COMPONENTS®

Solera® Slider Installation and Owner's Manual (For Aftermarket Applications)

Troubleshooting

Solera® Slide Topper Troubleshooting Chart

What's Happening?	What Should Be Done?
Rub marks appear on the fabric.	Check that there is no debris in the track where fabric goes into the case.
Fabric sags or is loose.	Check tension on springs.
	Make sure the end caps are properly secured.
Fabric will not roll up.	Check tension on springs.
	Make sure there are no debris or foreign objects in the fabric opening or case.
Fabric will not unroll.	Make sure the spring clips that lock the tension for install have been removed from both ends of the end caps.
Fabric appears to roll up at an angle.	Make sure the rail that is mounted to the unit is square with the main housing of the slide topper.
	Make sure fabric is cut square.

